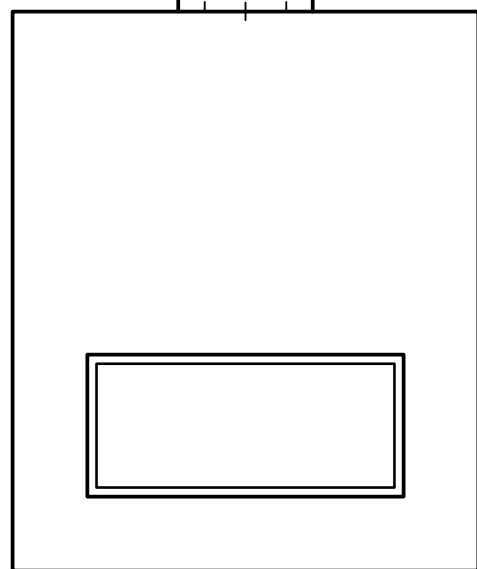
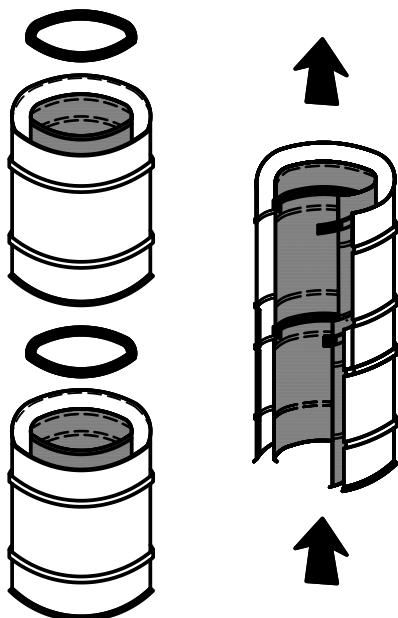


**ALWAYS:**  
 FEMALE ENDING OF INNER PIPE UPWARDS  
 FEMALE ENDING OF OUTER PIPE DOWNWARDS  
 SILICONE GASKET IN THE INNER PIPE




**NIKO**  
 WWW.CHIMNEYS-NIKO.COM  
 DOUBLE-WALLED CHIMNEY SYSTEM (CONCENTRIC) FOR TURBO BOILERS  
**NIKO STS LUFT B**